

THE NESHOPA DEMOCRAT

Visitor's & Resource Guide **2020**



Leighton Claire Trapp, above, enjoys the 2019 Neshoba County Fair.

Philadelphia-Neshoba County

Welcome from Mayor Young

Welcome to the city of Philadelphia, Mississippi, a city rich in history that has influenced the social, political and economic status in east central Mississippi. Come and enjoy our diverse community.

Take our Civil Rights Tour, visit Pearl River Resort and play a round of golf on one of the best courses in our state or go fishing at some of our area lakes, relax or play at our parks. Philadelphia is also a great place to shop. Our downtown has some great shopping from antiques to the latest fashions for men, women and children. Then enjoy some good food from our restaurants on the Square. You can finish your day by shopping at Williams Brothers, a true old-fashion general store founded in 1907 and the Neshoba Co-Op where you can find all things needed for your home, farm and ranch. Small and large equipment vendors are located in our city also.

Our area merchants are best known for their down-home Southern hospitality that makes you feel right at home when you walk in their stores. The city of Philadelphia is a good place to visit and great place to live. Come and enjoy the experience.

– Mayor James A. Young



Mayor James A. Young

Because of the COVID-19 pandemic, call due to temporary closures at press time.



Front Row: Cassie Henson, Ward 4; Mayor James Young, Alderman at Large - Leroy Clemons
Back Row: Joe Tullos, Ward 1; Ronnie Jenkins, Ward 3; Jim Fulton, Ward 2

Welcome



PHILADELPHIA HISTORIC DISTRICT
Located primarily along Holland and Poplar Avenues between Main and Rose Streets, the Philadelphia Historic District is an important residential neighborhood that shows the prosperity enjoyed by this city during the early 20th century. Most of these houses were built between 1900 and 1920. The District is listed in the National Register.

The City of Philadelphia, Mississippi

City Hall • 525 Main Street • Philadelphia, Mississippi 39350 • 601-656-3612

It's Home!



COMPREHENSIVE MEDICAL CARE

WE'RE HERE FOR YOU CLOSE TO HOME.

**NESHOPA OUTPATIENT THERAPY • NESHOPA WOUND CARE • NESHOPA ORTHOPEDIC SERVICES
NESHOPA OUTPATIENT INFUSION & ONCOLOGY CENTER • NESHOPA SLEEP CENTER • PEDIATRIC MEDICINE
NESHOPA PAIN MANAGEMENT CENTER • NESHOPA URGENT CARE • FAMILY MEDICINE • INTERNAL MEDICINE
GENERAL SURGERY • BEHAVIORAL HEALTH • SENIOR LIFE • NURSING HOME • INTENSIVE OUTPATIENT PROGRAM**

WALK-INS WELCOME • CONVENIENT LOCATIONS • FRIENDLY AND COMPASSIONATE SERVICE



**MAIN CAMPUS:
1001 HOLLAND AVENUE,
PHILADELPHIA, MS 38665**



**VISIT US ONLINE:
WWW.NESHOBAGENERAL.COM
FOLLOW US  **



601.663.1200

*Dedicated to Excellence
in Healthcare*



**PHILADELPHIA
SECURITY
INSURANCE**

**802 Kosciusko Road • Philadelphia, MS
601-656-4401 • www.philasec.com**

**BUY ANY FOUNTAIN
BEVERAGE AND
GET ANY REGULAR
FOOTLONG SUB FOR**



\$6

**595 East Main Street
601-656-6046**

**1006 Central Drive
601-389-0020**

**Inside Walmart
601-656-5200**




Tots, Teens & In-Betweens

CONSIGNMENT

516 West Main Street, Philadelphia
 Across from the Citizens Bank Main Branch
 (601) 575-8687




**OUR TCB LIVE TELLERS
HAVE PEOPLE TALKING**



HELLO!

Cash a check
 Make a deposit
 Make a loan payment
 Transfer money
 Get account balances

Available for personal and business customers
 7:00 AM - 5:30 PM Monday - Friday



**The
Citizens BankSM**

www.thecitizensbankphila.com

Proudly serving Attala, Forrest, Jackson, Harrison, Lafayette, Lamar, Lauderdale, Leake, Kemper, Neshoba, Newton, Oktibbeha, Rankin, Scott, and Winston counties.

Member
FDIC



New in town? What you need to know

UTILITIES

Electricity and water for residents in the city of Philadelphia are provided by Philadelphia Utilities located at 435 Myrtle St. The phone number is 601-656-1121.

If you are rent or own your home or apartment, you can expect to pay a \$350 deposit for electricity and a \$75 deposit for water service. There is a \$15 additional service fee for both water and electricity connection.

You will need a picture ID, a rent receipt and a Social Security card. Businesses need a tax ID.

County residents should contact Central Electric, located at 1045 Holland Ave., and can be contacted at 601-656-2601. You should expect to pay a deposit based on location and credit rating, plus a \$25 membership into the Central Electric Power Association and a \$35 service fee up front.

Good credit may qualify you for a waived fee. With a bad credit check, the deposit is still required and will be based on your credit score and location.

Central Electric does not provide water service to the county.

The Central Water Association, located at 915 Valley View Dr., services all county water customers. The CWA phone number is 601-656-6171.

Renters in the Central Water Association district can expect to pay a \$200 fee for an existing meter and should provide directions to the property, a mailing address and the name of the previous tenant, if available.

If you own your home, the fee is \$100 and the same information is still needed.

If you need natural gas service for your home, you need to contact CenterPoint Energy. You can expect to pay a \$75 deposit up front and a \$40 connection charge on your first bill and you will need to provide proof of residency and identification when you pay your deposit. For any questions, call CenterPoint Energy at 800-371-5417.

GARBAGE COLLECTION

The city of Philadelphia provides garbage disposal for its resi-

dents twice a week. The fee is \$11.70 per month and is included in the utility bill. For county residents, the garbage disposal fee is \$37.50 for three months and can be paid at the county Tax Collector/Assessor's Office at the Neshoba County Courthouse, Suite 105.

VEHICLE LICENSE PLATES

If you moved from another county within Mississippi, the county Tax Collector's office says you do not have to get a Neshoba County tag until your current car tag expires. You will need to bring your old plate and receipt. If you have moved from out-of-state, you have 30 days to obtain a Mississippi car tag.

You will need to bring the name and address of any lien holders, if any, and your old plate.

Car tags are obtained at the county Tax Assessor/Collector's Office in the Neshoba County Courthouse, Suite 105.

The Tax Assessor/Collector is Mike Lewis.

You can reach the office at 601-

656-4541, 601-656-6751 or 601-650-3282.

DRIVER'S LICENSE

Those who move into Mississippi have 60 days to obtain a new driver's license. If you have a valid out-of-state license, you need only to take the vision test. To receive your license, bring proof of residence and your Social Security card along with your current out-of-state license. Cost is \$24 cash for a four-year license and \$47 cash for an eight-year license.

The charge for an ID is \$17.

Those getting a license for the first time should bring both their original Social Security card and original birth certificate and two proofs of residence.

There is an additional fee of \$1 if your driver's license has expired.

The cost is \$7 for a permit and \$11 for an intermediate license for ages 15 and 16. Testing is done from 8 to 4 p.m.

Those 17 and under must also show proof of school attendance.

Neshoba countians may obtain their licenses on Monday through Friday at the Driver's License Station at the south end of Neshoba County Coliseum.

The office is normally open from 8 a.m. to 5 p.m. The telephone number is 601-656-6120.

VOTER REGISTRATION

Residents who have lived in Neshoba County at least 30 days may register to vote at the Circuit Clerk's Office in the Neshoba County Courthouse Suite 110.

The Circuit Clerk is Patti Duncan Lee. It is helpful to know your 911 address and Social Security number. The minimum voting age is 18. You must register at least 30 days prior to any election to be entitled to vote in that election.

Registration can also be sent through the mail to 401 East Beacon St., Suite 110. Residents can also register at city hall, located at 525 Main St.

For voter registration questions, call Lee at 601-656-4781, or City Hall at 601-656-3612.

Neshoba General Hospital



behavior health issue for older adults.

Neshoba Outpatient Therapy Department offers occupational, physical, speech and aquatic therapy to patients from pediatrics to geriatrics. Neshoba Outpatient Therapy is located at 205 East Hospital Road in Philadelphia, MS.

The Neshoba Wound Care Center offers convenient and comprehensive outpatient treatment for acute and chronic non-healing wounds, with surgical or non-surgical treatment.

The Neshoba Pain Management Center provides comprehensive pain management that is customized for each patient's needs. The clinic serves a multitude of

patients suffering from acute or chronic neck and lower-back pain, work-related injuries or automobile accidents, shingles pain, acute or chronic sympathetic pain, fibromyalgia, chronic headaches and more.

Neshoba Outpatient Infusion Center is an innovative and cost-effective alternative to time consuming hospitalization for your intravenous therapy treatment. Conveniently located and closely monitored by Dr. Dwight Keady specializing in infusion therapy.

Neshoba County Nursing Home is a division of Neshoba General. NCNH has 160 beds. 140 of those beds are utilized for Long Term Care and/or Short stay rehabilitation purposes. The remaining 20 beds are designated as a Memory Care Unit. NCNH provides Nursing Care, Social Services, Dietary needs, Physical, Occupational and Speech Therapies, and Activities to enhance the lives of the residents residing in the facility. The hospital owns and operates 4 local clinics, including an Urgent Care Clinic, which opens 7-days per week for our patient convenience. Neshoba Medical Associates clinic is located inside the Neshoba Medical

Philadelpha is home to Neshoba General Hospital and Neshoba County Nursing Home where the medical staff offers a variety of specialties in areas ranging from family medicine to pain management.

Philadelpha is home to Neshoba General Hospital and Neshoba County Nursing Home where the medical staff offers a variety of specialties in areas ranging from family medicine to pain management.

Neshoba General's emergency room is a designated Level IV Trauma Center. The hospital operates a paramedic-level ambulance service. Neshoba General EMS Department covers the county with 3 ambulances staffed with a paramedic and EMT 24-hours per day. They have an extra ambulance staffed daily from 10:00 am – 6:00 pm. Neshoba Ambulance Enterprise are members of the Central Mississippi Emergency Medical Services District.

Inpatient and scheduled outpatient surgeries are routinely performed in our surgery suite. Also offered is 24-hour coverage in service areas such as:

Fulltime Diagnostic Radiology and CT services. Mammography, MRI, Ultrasound, Bone Density is offered Monday – Friday 7:30 AM – 4 PM. Our Mammography Department is fully-accredited by the American College of Radiology and the Food and Drug Admin-

istration. Neshoba's CT and MRI services are accredited by The Intersocietal Accreditation Commission. Interpretations are provided by Lakeland Radiology of Flowood. Services provided by Neshoba's Respiratory Therapy Department include EKG, EKG stress testing, holter/event monitoring, pulmonary function testing, blood gas and EEG testing. Adjacent to the Respiratory Department is Neshoba Outpatient Sleep Center that is dedicated to diagnosing and treating sleeping disorders. The Sleep Center provides both inpatient and outpatient sleep assessments, staffed by experts in the areas of pulmonary medicine, neurology, clinical psychology, and otolaryngology. (ear, nose and throat).

Senior Life is a 10- bed inpatient Geriatric Psychiatric unit specializing in treating and relieving symptoms for senior patients who have psychiatric conditions and behavioral/emotional disturbances. Senior Life offers patients safe and comprehensive behavioral health treatment services.

Neshoba Intensive Outpatient Program is dedicated to providing quality treatment for mental and

Pavilion at 213 East Hospital Road Philadelphia. Neshoba Medical Associates combines the services of Pediatric Medicine, Internal Medicine and Family Medicine in one central location. Pediatric providers are Dr. Julia Riley, Dr. Laraib Tappa and Ann Richardson, CFNP. Internal Medicine providers are Dr. Dwight Keady, and Shelley Darby, FNP-C. Family Medicine providers are Dr. Heather Cannon, Dr. Hailey Thompson, Paula Clearman, CFNP and Tonia Holley, CFNP. Neshoba Urgent Care - Family Medicine Clinic is located at 1120 E. Main Street, Philadelphia. Urgent Care providers are Dr. Bobby Smith, and Pam Stokes, FNP-C. Family Medicine Providers are Dr. Grant Guild and Shannon Kirkland, FNP-C. Neshoba Central Clinic, located on-campus at 1002 Saint Frances Drive, provider Jennifer Phillips, CFNP. Surgery Clinic of Philadelphia is located at 1003 Holland Avenue, in the Neshoba County Medical Arts Clinic. Dr. Andy Dabbs performs General Surgery located in Suite 101, and Dr. Todd Willis practices Family Medicine located in Suite 104.

Philadelphia-Neshoba County Historical Museum

The Philadelphia-Neshoba County Historical Museum houses a variety of artifacts including farm equipment, war relics and an intact vintage Neshoba County Fair cabin.

Opened in 1992, this museum explores local history in the 19th-century George Pegram Woodward home at 303 Water Ave. The museum does not charge a fee and is open to the public Monday through Friday.

Mack Alford has been board chairman of the museum for 10 years. Alford has always enjoyed history. He was a history major in college and taught in the Philadelphia school system in various roles from teacher to coach to principal for 30 years. He has been retired for 20 years and now pastors a small church near Johnsonville.

"I have always enjoyed history," Alford said. "I think it is important to preserve things of the past and that is a big part of what the museum does."

Alford said his favorite exhibit centers on the history of agricul-

ture in the area.

"Agriculture has brought several different types of farming to our county throughout the years," Alford said. "As the years go on it changes. It changes how people live and what they grow."

Alford said that they have a variety of farm implements dating back as far as the early 1800s on display that illustrate the changes the county has seen.

Another exhibit includes war relics from a confederate battle flag to a uniform worn during World War I and an exhibit dedicated to two local soldiers killed in Iraq, First Lt. Matt Stovall and Sgt. Joshua Shane Ladd.

Other exhibits highlight notable people from Neshoba County, including Blues legend Otis Rush and Little Debbie founder O.D. McKee who lived in the Dixon community for a time before eventually moving to Chattanooga and launching the iconic baked goods empire.

There is a whole room dedicated to Marty Stuart.

"Our Marty Stuart exhibit is



Marty Stuart on display at the Philadelphia-Neshoba County Historical Museum.

probably the one we get asked about the most. I know he mentions the county and the museum on stage a lot and we always get

people coming in wanting to see where he is from."

Chamber/Main Street Director Tim Moore said he enjoys bring-

ing local groups out there like Leadership Neshoba. He said many are surprised to find the wealth of knowledge about where they are from that is available to them.

Alford encourages potential patrons to come on their own or in groups. He said they often accommodate church groups from all over, though said with larger groups it is best to call ahead.

"It would take a half a day or more to see everything," Alford said. "I recommend people come in and take their time."

He also said that the board, appointed by the county and city, tries to keep new pieces coming in and update other exhibits when they can.

"I always ask people how long it has been since they last were at the museum," Alford said. "If it has been a few years, chances are you could come back by and see something new."

You can visit the museum on Water Avenue or call 601-656-1284 for more information.

Philadelphia-Neshoba County Public Library

Visitors to the Philadelphia-Neshoba County Public Library take advantage of the many resources available.

Since 1929, the library has been serving the needs of children and adults in the red clay hills of Neshoba County.

The current 12,000 square-foot facility midway down Depot Hill between Beacon and Main streets opened on Dec. 5, 1976, and has been renovated several times.

In 2015, a new Library Bookmobile was launched into service, making stops at county areas, events, and local groups like the Boys and Girls Club of Philadelphia, nursing homes and schools.

The mobile library utilizes a 7'x14' trailer complete with vending window, air conditioning and loading ramp to be unfolded at places of all sorts throughout the county to provide library services.

At all events, the mobile library unit is open to the public in attendance, offering books, periodicals, genealogy resources, computer stations, wifi hotspot and friendly staff.

Tables, tents and chairs are used along the outside of the unit,

offering quiet and shaded reading.

The Philadelphia-Neshoba County Public Library has something for everyone and the ability to meet all of your information needs. The library offers an extensive collection of books, periodicals, DVDs and CDs, as well as eBooks, databases and archives online.

Great events are offered to the public for free at the library on a regularly occurring basis.

Patrons can take part in weekly children's story time on Wednesday mornings at 10 a.m., or monthly cooking demonstrations at the Library Gourmet every fourth Tuesday at 5:30 p.m. in the conference room.

With a new focus on technology, the library offers free wi-fi at 100 Mbps, 3D printing, and virtual reality with the Oculus Rift and HTC Vive platforms. Finally, if you're in need of technical support, the library can serve as your own personal tech team by calling 601-656-4911.

The Philadelphia-Neshoba County Public Library seeks to improve the community through



Philadelphia-Neshoba County Public Library

partnerships aimed at enhancing education, improving literacy and digital capability for all.

The library aims to serve with knowledgeable staff in a clean and contemporary environment, pro-

viding current and organized content in all accessible formats.

Additionally, the library continually seeks ways of serving the community inside and outside its building's walls.

Go to www.neshobalibrary.net for more eBooks, library events and information! In 2019, a Starbucks coffee kiosk was installed.

Visit neshobalibrary.net for more information.

Philadelphia Mayor and Board of Aldermen

The governing body of the city consists of the Mayor and a five-member Board of Aldermen. Four members of the Board are elected from separate wards, while the fifth member is elected at large. The Mayor and members of the Board of Aldermen are elected for concurrent four-year terms.

The Board of Aldermen meet on the first and third Tuesday of each month at 5 p.m. in City Hall, 525 Main Street.

Mayor

James A. Young

Aldermen

Ward 1 — **Joe Tullos**

Ward 2 — **Jim Fulton**

Ward 3 — **Ronnie Jenkins**

Ward 4 — **Cassie Henson**

Alderman-at-large — **Leroy Clemons**

City Hall

525 Main Street

Phone: 601.656.3612

www.philadelphia.thecity.com



Building & Permits

The Building & Permits is responsible for overseeing the effective, efficient, fair and safe enforcement of the City's commercial and residential buildings. Also, we are responsible for permit issuance to ensure proposed construction work is always done safely, timely, and professionally. We review, approve and issue plans to ensure code compliance.

A City of Philadelphia permit is an official document that authorizes the alteration, demolition, construction, enlargement, movement, repair, removal, or replacement of any building or structure, or of any accessory attached to a building or structure. The city requires permits to ensure safe building, coordinated development, effective land use, and high-quality site planning.

We inspect and enforce building safety and code compliance to ensure a safer community. We address permits and complaints regarding building, plumbing, and electrical work as well as housing safety.

Zoning Regulations

<http://www.philadelphia.thecity.com/zoning-regulations>

Jay Eakes, Building Official

City Hall

525 Main Street

Phone: 601.656.0669

Police and Fire Departments

To protect and serve, the Police Department is dedicated to the duty of safeguarding all City of Philadelphia citizens from crime, and helping citizens when emergencies arise. We strive to work cooperatively with all citizens to protect life and property, preserve peace, enforce laws and maintain civil rights through proper and responsive community based service. We are proud to work in partnership with the community to keep Philadelphia a safe and livable city.

The Philadelphia Fire Department's mission is to help people. We are dedicated to preserving life and property through prevention and professional, compassionate response. We provide excellent fire protection and emergency medical services to our residents and visitors. We also offer services such as Fire Inspections, Fire Code Enforcement and Fire Safety Education programs designed to meet the needs of our community.

Julian Greer, Police Chief

523 Main Street

Phone: 601.656.2131

Pierce Clark, Fire Chief

907 Herman Alford Memorial HWY

Phone: 601.656.5841

Because of the COVID-19 pandemic, call about listings throughout this section due to temporary closures at press time.

Philadelphia FAQs

philadelphia.thecity.com/faqs

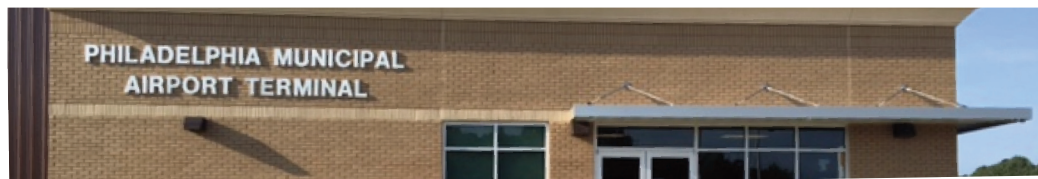
- Can I pay my Philadelphia Utilities bill online?
- How do I get a marriage license?
- How do I get a building permit?
- What is the garbage collection schedule?
- Do I need a license or a permit to open a business?
- How do I pay a Parking Ticket?

Philadelphia Municipal Airport

The Philadelphia Municipal Airport opened a new \$1 million airport terminal in 2017. The terminal offers a variety of amenities for pilots, including a lounge, office space, a conference room, a kitchenette and spacious accommodations with showers.

Philadelphia Municipal Airport

1036 Saxon Airport Road
Philadelphia, MS 39350
601.656.0203



Dan Cumberland, Airport Manager

Philadelphia Municipal Airport Board

- Brent Gray, President
- Don Fulton, Vice President
- Mike Tinsley, Treasurer
- Bruce Threadgill, Secretary

Community Development Partnership

The Community Development Partnership is an umbrella organization that includes the Chamber of Commerce, Main Street, the Industrial Development Authority and Tourism. The purpose of the Community Development Partnership is to lead Philadelphia-Neshoba County into being a community where existing industry prospers, new industries want to locate, tourists want to visit and residents are overwhelming proud to call it home.

Community Development

The Depot
256 W. Beacon Street
Philadelphia, MS 39350
601-656-1000

Members of the CDP board are: John King, chairman; Elizabeth Frohse, vice chair; Scott Breazeale, Amanda Richardson, Jackie Hester, Christian Young, Mattie Hudson, Stanley Salter, Dr. Duane Stokes, Mayor James Young, Leroy Clemons, Supervisor District 2 Supervisor Kevin Cumberland, District 1 Supervisor Keith Lillis and Diane Maxwell from MBCI. David Vowell is president of the CDP.

Cemetery and Animal Control

The City of Philadelphia maintains three cemeteries to provide a resting place for our departed loved ones. The cemeteries serve as a memorial that stand as a source of consolation and inspiration to the living and provide gardens where the memory of beautiful lives will be kept beautiful always.

Animal Control coordinates all animal control activities within the boundaries of Philadelphia and manages the animal shelter.

Larry McKinney

205 Rea Street
601.650.3587

City Clerk

The City Clerk is responsible for the maintenance of all official records for the City of Philadelphia.

525 Main Street
Phone: 601.656.3612

Because of the COVID-19 pandemic, call about listings throughout this section due to temporary closures at press time.

*Welcome to
Our Fair City*



Crowder Engineering and Surveying, Inc

1150 W. Main Street, Ackerman, MS 39735

Phone: 662.285.2062 Fax: 662.285.2618

Philadelphia Cleaners, LLC

pcleanersllc@gmail.com

223 West Beacon Street
Philadelphia, MS 39360
601-656-2262

Wyatt & Delana Waddell

Neshoba County Supervisors

The governing body of the county consists of the Board of Supervisors. Five members of the Board are elected from separate districts. Supervisors are elected for concurrent four-year terms.

The Board of Supervisors meet on the first and third Monday of each month at 9 a.m. at the Neshoba County Courthouse.

Supervisors

- District 1 — **Keith Lillis**
- District 2 — **Kevin Cumberland**
- District 3 — **Kinsey Smith**
- District 4 — **Kevin Wilcher**
- District 5 — **Obbie Riley**

Neshoba County Courthouse

401 E. Beacon Street
Phone: 601-656-6281
www.neshobacounty.net



County elected officials

Sheriff Eric Clark

920 Chestnut Street
Phone: 601-656-1414
sheriff@neshobacounty.net

Tax Assessor/Collector Mike Lewis

401 Beacon Street, Suite 105
Phone: 601-656-4541
mlewis@neshobacounty.net

Coroner John E. Stephens

10921 Road 527
Phone: 601-650-3283

Place 1 Constable Josh Burt

200 Bryd Avenue
Phone: 601-656-4053

Place 2 Constable Keith McCrory

200 Bryd Avenue
Phone: 601-656-4053

District 1 Election Commissioner Sherry Nance

401 Beacon Street, Suite 102
Phone: 601-656-5923
elections@neshobacounty.net

District 2 Election Commissioner Martha Whittle

401 Beacon Street, Suite 102
Phone: 601-656-5923
elections@neshobacounty.net

District 3 Election Commissioner Harold Richardson

401 Beacon Street, Suite 102
Phone: 601-656-5923
elections@neshobacounty.net

District 4 Election Commissioner Heather Kennedy

401 Beacon Street, Suite 102
Phone: 601-656-5923
elections@neshobacounty.net

District 5 Election Commissioner Yvonne Moore

401 Beacon Street, Suite 102
Phone: 601-656-5923
elections@neshobacounty.net

The Industrial Development Authority of Neshoba County

256 West Beacon Street
Philadelphia, MS 39350
Phone 601-656-1000
info@neshoba.org
neshoba.org



The Industrial Development Authority of Neshoba County focuses on bringing more business and adding jobs to our community. The Industrial Development Authority of Neshoba County was created by an act of The Mississippi Legislature 1983 Regular Session with changes in 2003 and 2004. The Authority recruits businesses to locate in Neshoba County and it establishes relationships with existing companies to encourage and assist them in expanding. As a result of these activities, the Authority is able to enhance the business climate, increase employment opportunities and ultimately enhance the quality of life for the citizens of Neshoba County.

Board Members

- Member District One — **Robert Lovern**
- Member District Two — **Duane Stokes**
- Member District Three — **Stanley Salter**
- Member District Four — **William "Bud" Dees**
- Member District Five — **Mattie Hudson**
- Member At Large — **James A. Young, Mayor City of Philadelphia**
- Member At Large — **Obbie Riley, President Board of Supervisors**

Executive Director

David Vowell, President Community Development Partnership
dvowell@bellsouth.net



Chancery Court

Cases heard in the Chancery Court include domestic/family matters, divorce, child custody, property division, adoptions, alimony, estates of descendants, land issues (titles, contracts), emancipation (declaring a minor to be 21 for work purposes), property title confirmation, property disputes (over \$50,000), insurance settlements to minors, and commitments of mentally disabled.

Judge Joseph Kilgore

Place One

Sixth Chancery Court District
401 Beacon Street, Suite 235
Philadelphia, Mississippi 39350
jkilgore@neshobacounty.net
Phone: 601-656-1881

Judge Kiley Kirk

Place Two

Sixth Chancery Court District
P.O. Box 387
Louisville, Mississippi 39339
judgekirk@winstoncounty.org
Phone: 662-773-6686

Judge's Chambers

401 Beacon Street
Suite 205
Philadelphia, MS 39350
Phone: 601-656-7478

Chancery Clerk

The Chancery Clerk occupies perhaps the most unique and diverse office in all of Mississippi government. The various duties given the Chancery Clerk by statute, or assumed voluntarily by the individual Clerk, cover a wide range of vitally important functions.

The duties and functions of the Chancery Clerk are governed by an elaborate assortment of statutes and court rules, along with procedures established either by the State Department of Audit or the Department of Finance and Administration. As the Clerk of the Board of Supervisors, he records the official minutes. As Treasurer, the Clerk prepares the claims docket and payrolls for all departments of the County, and after Board approval, he writes and signs checks for payments.

As public recorder, the Clerk han-

dles the recording and storage of several types of documents and maintains various indexes that aid people in researching these records. The primary records are deeds and mortgages relating to real property, but the Clerk also records construction and condominium liens, federal tax liens, Lis Pendens (notices of pending lawsuits) and military discharges. The Clerk is in charge of the storage and authorized disposal of older land rolls, tax receipts and many other County records after their active use lifespan. As Clerk of the Chancery Court, the Clerk handles a multitude of tasks such as matters of estates, guardianships, conservatorships, divorces, child custody, adoption, property disputes and other matters of equity.

Chancery Clerk Guy Nowell

Neshoba County Chancery Clerk
401 E. Beacon Street, Suite 107
Philadelphia, Mississippi 39350
chanceryclerk@neshobacounty.net
Phone: 601-656-3581

Chancery Clerk's Office Staff

Kathy Greer
Gidget Tate
Wanda Savell

On the web

- Search Land Records
- Search Land Roll
- View county Ownership Maps

Circuit Court

The Circuit Court has original jurisdiction over all civil and criminal matters not vested exclusively in another court. Most Circuit Court cases are heard by juries.

Judge Brian Burns

Place One

Eighth Circuit Court District
Phone: 601-635-3540

Judge Mark Duncan

Place Two

Eighth Circuit Court District
201 Range Avenue
Philadelphia, Mississippi 39350
Phone: 601-656-5776

Neshoba County Courthouse Judge's Chambers

401 Beacon Street, Suite 205
Phone: 601-656-7478

Circuit Clerk Patti Duncan Lee

Neshoba County Circuit Clerk
401 E. Beacon Street, Suite 110
Philadelphia, Mississippi 39350
circuitclerk@neshobacounty.net@neshobacounty.net
Phone: 601-656-4781

Circuit Clerk's Office Staff

Tammy T. Clemons, Chief Deputy Clerk
Aida Ward, Deputy Clerk

Justice Court

The Neshoba County Justice Court resides over a myriad of matters, from civil suits to delinquent mobile home taxes. Traffic tickets issued by the State Highway Patrol and the Neshoba County Sheriff's Department are resolved in the Justice Court, as well as Public Service tickets, Gaming, Fishing and Marine Reserve tickets.

This Court hears all matters with regard to DUIs and violations of County ordinances. All felony cases are first heard in the Justice Court for initial appearance and the filing of affidavit. Judges from this office have court sessions at the jail to ensure each person's right to have an initial court appearance within three days of arrest.

Pay Traffic Citations & Fines

<http://www.neshobacounty.net/pay-traffic-citations-fines>

Judge Paul Payne

Place One

200 Byrd Avenue
Philadelphia, Mississippi 39350
Phone: 601-656-4053

Paul Payne is serving his first term as Justice Court Judge for Place One. He was elected in November 2019 and began his term of office on January 6, 2020. Paul previously served as Constable Place One before becoming Justice Court Judge.

Judge Johnathan Spears

Place Two

200 Byrd Avenue
Philadelphia, Mississippi 39350
Phone: 601-656-4053

Johnathan Spears is serving his second term as Justice Court Judge for Place Two. He was elected in November 2015 and began his first term in January 2016. Prior to becoming judge, Johnathan was a Deputy Sheriff and DUI Officer for the Neshoba County Sheriff's Department.

County Prosecuting Attorney

Caleb May

P.O. Box 388
422 Center Avenue North
Philadelphia, Mississippi 39350
Phone: 601-656-4830

Justice Court Office Staff

Kim Yates, Justice Court Clerk
Patsy Long, Deputy Clerk
Twyla Lovern, Deputy Clerk
Jean Nowell, Deputy Clerk

Neshoba County Justice Court

200 Byrd Avenue
Philadelphia, MS 39350
Phone: 601-656-4053
justicecourt@neshobacounty.net

Youth Court

Cases heard in the Youth Court include matters involving delinquent children, children in need of supervision, and neglected and/or abused children.

305 Main Street
Philadelphia, MS 39350
Phone: 601-656-2812

District Attorney

Steven Kilgore

Eighth Judicial District

P.O. Box 603
Philadelphia, Mississippi 39350
Phone: 601-656-1991

It is the duty of the District Attorney's Office to prosecute and defend for the State, in all courts of the County, all cases, criminal or civil, arising under the provisions of the law.

The mission of a District Attorney is to ensure that our legal system effectively protects each of us, our families and our communities from crime, delinquency, abuse, and other threats to the peace and safety of society, and to provide effective representation of county officers.

Neshoba County Schools

The county school district serves over 3,000 students from Pre-K to high school at its campus on Golf Course Road and St. Francis Drive, just off East Main Street. The district consists of Neshoba Central Pre-K, Neshoba Central Elementary, Neshoba Central Middle School, and Neshoba Central High School.

Superintendent

Dr. Lundy Brantley

Central Office
580 East Main Street
Philadelphia, Mississippi 39350
neshobacentral.com
Phone: 601.656.3752

Philadelphia Public Schools

The Philadelphia Public School District has a rich history and tradition in excellence. That history and tradition

has continued over decades and will continue well into the future. The district serves approximately 1,000 students in three schools — Philadelphia Elementary, Philadelphia Middle, and Philadelphia High School.

Philadelphia Elementary serves students in Pre-K to sixth grade, with Philadelphia Middle School serving seventh and eighth grade students. Philadelphia High School serves ninth-twelfth graders.

Superintendent

Lisa Hull

Central Office
248 Byrd Avenue
Philadelphia, Mississippi 39350
phillytornadoes.com
Phone: 601.656.2955

Tribal Schools

The Mississippi Band of Choctaw Indians operates the largest unified Reservation School District in the U.S., with current student enrollment exceeding 2,000 in grades pre-K-12th.

The Choctaw Tribal School System consists of six elementary schools, one middle school and one high school.

The district serves students who live in Leake, Kemper, Neshoba, Newton and Winston counties.

Schools include Bogue Chitton Elementary, Conehatta Elementary, Pearl River Elementary, Red Water Elementary, Standing Pine Elementary, Tucker Elementary, Choctaw Central Middle School, and Choctaw Central High School

Tribal schools are fully-accredited by both the Mississippi Department of Education and AdvancED.

The schools are operated as a department of the Tribe under the direction of Tribal Chief Cyrus Ben.

The Tribe's goal is to provide a superior educational experience to all students, preparing them to be successful participants in Tribal and global affairs with a solid foundation in Choctaw language, history and culture.

Director of Schools

David Germany

Central Office
122 Division of Schools Dr.
Choctaw, Mississippi 39350
www.choctawtribalschools.com
Phone: 601.650.7302



Enjoy the show

CANAL PLACE CINEMA 7

601.65.MOVIE
canalplacecinema7.com
#CPC7



NANCE'S NORTHSIDE SHORTSOP CONVENIENCE STORE

Breakfast: 5:30 am to 10 am

Lunch: 10:30 am to 1 pm

**WE HAVE
NON-ETHANOL GAS!**

12070 Pecan Ave
Philadelphia
601-656-6088

~Locally Owned & Operated~



FAIR CITY LIQUOR

HAPPY HOUR
10% off entire purchase
from 5:00-7:00

12060 Pecan Ave, Philadelphia • 601-568-5035
Open Monday thru Saturday, 10 am - 10 pm

Find us on 

Yates Building Supply

BUILDING SUPPLIES • HOME DECOR • INTERIOR DESIGN



406 SOUTH LEWIS AVE
PHILADELPHIA, MS 39350
601 • 656 • 3065

"Committed to our communities because we live here, too."

CENTRAL ELECTRIC POWER ASSOCIATION

Carthage – 1-866-846-5671 • Philadelphia – 1-866-559-2601
 Sebastopol – 1-866-461-7422 • Rankin – 1-866-900-1201

This institution is an equal opportunity provider and employer.

SONIC

Welcome to Philadelphia and Neshoba County!



Welcome to
Neshoba County



NESHOBA COUNTY BOARD OF SUPERVISORS

Seated from left to right: Obbie Riley, District 5; Kevin Cumberland, District 2; and, Keith Lillis, District 1; Standing from left to right: Kevin Wilcher, District 4; and, Kinsey Smith, District 3

410 BEACON STREET
 PHILADELPHIA, MS 39350
 P: 601-656-6281 • F: 601-650-3280
 INFO@NESHOBACOUNTY.NET



NEW ARRIVALS DAILY!!

1121 Kosciusko Rd
Philadelphia, Mississippi 39350

(601) 656-5351



Beck Funeral Homes and Cremation Services

"Three Locations to Better Serve You Since 1978"

226 North St
Louisville
662-773-3291

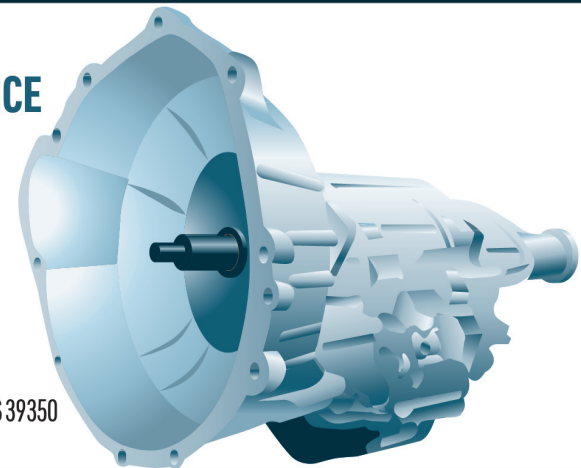
10460 Rd 561
Philadelphia
601-656-1191

13554 Hwy 16 W
DeKalb
769-486-5067

www.beckfuneralhomeinc.com

LONNIE'S AUTOMATIC TRANSMISSION SERVICE

*Welcome to
Philadelphia and
Neshoba County!*



11840 HWY 15 NORTH, PHILADELPHIA, MS 39350
601-656-2194 | 601-389-0000

Welcome to Our Fair City

Northside Animal Clinic

12130 Pecan Ave, Philadelphia
601-656-4310



A LITTLE SOMETHING FOR
EVERYONE

**HOT &
SPICY**
chicken

LOUISIANA
MILD
CHICKEN

1019 W. BEACON ST, PHILADELPHIA | CALL IN YOUR ORDER! 601-389-1999

Mississippi Band of Choctaw Indians celebrate 75



Mississippi Band of Choctaw Indians Chief Cyrus Ben greets the crowd after being sworn in on at the Silver Star Convention Center in June 2019. At right, Esbie Gibson lived from 1910 to 2007. She was a member of the Conehatta community and is a famous basket weaver and artist with works in the Smithsonian.

By THE MISSISSIPPI BAND OF CHOCTAW INDIANS

April 20, 1945, is deemed a Memorable Day for the Mississippi Choctaw. It is the day when the people voted to reclaim our destiny. As we celebrate the 75th anniversary of the recognition of the Mississippi Band of Choctaw Indians as a sovereign Tribal government, we think about the perseverance of hardships endured by our people to get us to where we are today.

Prior to federal recognition, the Choctaw people had no say about their lives. A century earlier, our ancestors, the once-strong Choctaw Nation of Mississippi, had been robbed of their lands through a series of treaties that greatly benefited the newly-formed United States of America. These treaties gave little to no care to well-being of the Choctaw needs. The final treaty in 1830, the Treaty of Dancing Rabbit Creek, effectively abolished the Tribe and forcibly removed the majority of the Choctaw to Indian Territory.

But things didn't change overnight after 1945. It took several years for the Tribe to shake itself loose from the grip of the federal government. In the late 1970s, the Tribe established the manufacturing industry. On the reservation in the 1980s, the Tribe took over control of law enforcement and education from the BIA. In 1994, the Choctaw Health Center finally became fully operated by the Tribe. In that same year, the Tribe opened the Silver Star Hotel and Casino, which propelled the Tribe to economic success and, along with its fellow properties,

now known collectively as Pearl River Resort, is one of Mississippi's largest private employers.

Choctaw Self-Determination is the doctrine behind the Tribe's success, which is the idea that individual Tribal members and the Tribal government should take responsibility and be self-sufficient. As we look to the future and keep moving forward, let's take a moment and recognize those leaders who have paved the way for our current success.

After the 1934 Indian Re-organization Act the Choctaw Agency created the Tribal Business Committee which was a group of Choctaws that helped write the first Constitution and push for the vote in 1945.

The first Tribal Council Meeting took place in July 10, 1945 which elected a temporary Chairman, Will Jimmie, to call the meeting to order and open nominations for Chairman and Vice-Chairman. Joe Chitto was nominated as the first Chairman at this first Tribal Council meeting and served until 1949. Emmett York served from 1949-1953; Joe Chitto served once again from 1953-1955; Emmett York once again served as Chairman from 1955-1959; from 1959-1965 Phillip Martin served as Chairman; in 1966 Robert Benn served as Chairman before becoming the first Choctaw Superintendent of the Choctaw Agency; Clay Gibson served from 1966-1967; Emmett York served from 1967-1971 and the last to serve in with a

Chairman title was Phillip Martin from 1971-1975.

In 1975 the Constitution was changed to allow for the democratic election of a Tribal Chief. The first modern day Tribal Chief of the Mississippi Band of Choctaw Indians was the late Chief Calvin J. Isaac who served from 1975-1979. From 1979-2007 the late Chief Phillip Martin served and is the longest serving Chief of the Tribe. Miko Beasley Denson served from 2007-2011. Chief Phyliss J. Anderson became the first female Tribal Chief and served from 2011-2019. In July 2019 Cyrus Ben was sworn-in as the fifth and youngest democratically elected Tribal Chief of the Mississippi Band of Choctaw Indians.

Yakoki, thank you! To all Tribal members, let us never forget our past...our struggles, our challenges, and our fight for survival. These obstacles throughout history help us appreciate the success we've obtained after our formal recognition in 1945.

May our future be filled with wonderful opportunities and an even more improved quality of life for our people. Today, with a Tribal enrollment of 11,107, we recognize our existence, 75 years of strength, determination and perseverance! For 75 years, we remain the Mississippi Band of Choctaw Indians.

Our Ancestors Fought to Stay and Survive.
Our Elders Fought to Be Recognized.
We Fight to Never Be Forgotten.

Chahta Hapia Hoke!

Tribal Government

The Mississippi Band of Choctaw Indians is the only federally recognized Native American tribe in Mississippi. There are eight officially recognized Choctaw Indian communities: Bogue Chitto, Bogue Homa, Conehatta, Crystal Ridge, Pearl River, Red Water, Standing Pine, and Tucker. There is also a community of Tribal members living on tribal trust land in Henning, Tenn. Pearl River is the largest community and is the site of Tribal government headquarters.

The Tribe is under the leadership of Tribal Chief Cyrus Ben and a 17-member Tribal Council.

The Chief is elected every four years and there are no term limits imposed on this position. Tribal Council members are elected for staggered four-year terms.

The Chief is elected by the people at large, while Tribal Council representatives are elected by the people in the community in which they reside.

- Administrative Offices: 601-656-5251
- Choctaw Fire Department: 601-656-0620
- Choctaw Transit: 601-650-7430
- Department of Public Safety (Police): 601-656-5711
- Attorney General: 601-656-4507
- Public Information: 601-663-7532

Pearl River Resort



1,200 slot machines and over 40 table games devoted to Craps, Blackjack, Roulette, and Mini Baccarat. Also featured is the Pearl River Bingo Room which provides players with the opportunity to win progressive jackpots in the hundreds of thousands of dollars. Golden Moon features a

70,000-square-foot gaming floor with over 1,100 slot machines, 25 table games, an elevated 14 table poker room, a stunning one-of-a-kind video wall, and a center bar.

In addition to gaming and hotels, guests can enjoy European spa facilities, dining, shopping and live entertainment, and deluxe resort-style pool and lounge, Infinity Pool at Golden Moon. This updated amenity features indoor pool & hot tub, outdoor infinity pool with built-in zero entry chairs, a bar with large screen TVs, three private cabanas, daybeds, high-end green turf, LED lighting, and a staging area for live entertainment and special events.

Also featured is Dancing Rabbit Golf Club with two championship golf courses and Geyser Falls Water Theme Park with 13 waterslides including a six-story freetail speed slide, gigantic wave pool, exotic lazy river and a four-lane racing slide.

For more information on Pearl River Resort, visit www.pearlriverresort.com.

Chahta Immi Cultural Center

to the cultural center, one of the undisputed highlights are the handmade arts and crafts both on display for visitors and available for purchase at the cultural center gift shop. While beadwork and pottery are available, the hand-woven baskets are the main attraction.

Among the outreaches of the cultural center are an information center into the history and culture of the tribe, place-based learning for Choctaw art forms, and the promotion of the Choctaw language.

Visitors to the museum portion of the cultural center also are shown a 20-minute video presentation of the history of the Choctaw people.

While a large number of visitors actually visit the museum on an annual basis, the Cultural Center stretches its impact with several outreach exhibits, which feature cultural items and artifacts.

Those exhibits are located at the Pearl River Resort, the Dancing Rabbit Inn, McKissack Museum in Columbia, S.C., Mississippi Craftsman Guild in Jackson, the tribal schools, the MBCI Elderly Center, Chucalissa Museum in Memphis, and the Mississippi State Fair.

There are several items from the Cultural Center in the new Mississippi History Museum in Jackson. They will also be added to the new Arts and Entertainment Center in Meridian.



Chahta Immi Cultural Center

The hours of operation for the Chahta Immi Cultural Center are 10 a.m. through 5 p.m. Tuesday through Saturday with general admission being \$5.

There are also education, military, and

tribal member discounts available with seniors 57 and older and children under 5 being admitted free.

For more information 601-650-1687.

Pearl River Resort has all you need in one place for the perfect getaway. Located in east central Mississippi, Pearl River Resort is home to Golden Moon Hotel & Casino and Silver Star Hotel & Casino. As one of the premier gaming and entertainment destinations in the Southeast, these two exceptional casinos offer a wealth of fun and excitement for visitors from all walks of life. When it comes to accommodating visitors for every occasion, Pearl River Resort provides a comprehensive range of facilities and services in a comfortable Southern setting.

With nearly 600 guest rooms including 112 suites and 32 VIP suites, Golden Moon offers timeless and comfortable accommodations in a marvel of modern architecture. Silver Star features more than 500 beautifully appointed rooms. Guests are only offered the very best in accommodations with all the expected amenities from a world-class hotel.

Pearl River Resort provides guests with the ultimate gaming experience. Silver Star offers over

A pair of shoes worn by former Mississippi Band of Choctaw Indians Chief Phillip Martin when he first walked the streets of Washington, D.C. seeking support for the Choctaw nation are among the numerous items found in the Chahta Immi Cultural Center, which is located in the Choctaw Town Center shopping area.

It serves as a museum, archival center, gift shop and cultural center.

The Cultural Center began at its original site at the Choctaw fairgrounds in 1981, with Bob and Martha Ferguson basically operating it on a volunteer basis until 1985.

Chahta Immi means "Life way of the Choctaw people," so the cultural center is centered on "Living traditions."

Items on display in the "Choctaw Expressions" portion of the museum include a timeline of the Choctaw people, as well as artifacts from the past, including clothing, historical tribal documents and a replica of Pushmataha's tombstone.

While there is nearly 60 linear feet of showroom space for the artifacts, what lies behind those walls is even more intriguing and special to the Choctaw people.

The archives vault includes historical documents from all of the chiefs and tribal councils, as well as hundreds of baskets and other artifacts. There are also rows of files that include everything from articles, paper work, photos and photo negatives.

While there are many interesting aspects

Historical markers everywhere

Several historical markers tell Neshoba's storied past

Some are celebrations of life, some are somber reminders of a dark past, but all of Neshoba County's historical markers help tell the story of the places, events and people who influenced the culture and shaped this tiny corner of America.

Neshoba has 17 state-sanctioned historical markers around the county, plus a handful of others put up by private entities. To see them all, it's about a 100-mile trek around the county, but one that's well worth it.

Few counties in Mississippi can claim to have as many places of interest - for better or worse — than in the Philadelphia area. Hinds County, which boasts a population 200,000 higher than Neshoba, has the same number according to the state register.

The subject of these markers range from celebratory to sobering.

The Mississippi Country Music Trail is one of many that makes several stops across the county.

There's one for Bob Ferguson, the filmmaker and anthropologist who wrote produced hundreds of major recordings and wrote timeless classics like "Wings of a Dove" and "Carroll County Accident."

There's another for Marty Gamblin, the Philadelphia native who ran Glen Camp-



bell's publishing firm and helped launch the career of Country great Alan Jackson. And no country tour would be complete without a stop by Main Street in downtown Philadelphia to stand near the spot where Marty Stewart performed with his first band, Musical Rangers, in the late 1960's.

It's not just country music, either.

We've got a Mississippi Blues Trail marker dedicated to the birthplace of legendary blues man Otis Rush, who was born

just south of Philadelphia in 1935, successfully captured the hardships of early life in Mississippi with his art and went on to influence musicians like Stevie Ray Vaughn and Eric Clapton.

From the spot that marks the beginning of Stewart's music career, there are eight more within a mile. The Neshoba County Confederate Monument, an engraved statue right across the street in front of the County Courthouse, honors the sons of Neshoba County who served in the war between the states.

Another 500 feet away is the old Neshoba County Jail, which played a pivotal role on the night three civil rights workers — Michael Shwerner, James Chaney and Andrew Goodman — were infamously slain.

Just a few blocks away, on Pecan Street, is a historical marker indicating the spot where Philadelphians made their stand against Grierson's Raid, which blazed a path of destruction through Mississippi en route to Baton Rouge from southern Tennessee.

Google may be great for spitting out information, but it's something else to stand in the places where all these events took place.

Neshoba County Fair

Established in 1889, the Neshoba County Fair is called Mississippi's Giant House Party as people from all across the country gather every summer for a week-long reunion with harness and running races, a huge carnival and top musical entertainment and lots of food and drink.

The 600 cabins are the physical and social units of the Fair. Each one has its own distinguishable characteristics. Families come out ahead of time to get the cabins Fair ready. This includes cleaning and getting the decorations up. Many cabins carry a lot of history because they were built by parents, grandparents or great-great grandparents of Fairgoers today.

Cabins are indeed the center of activity and porches are the most popular place for gatherings or just sitting, visiting or watching children toss water balloons.

Happy Hollow, Sunset Strip, Founders Square, Bourban Street and Greenleaf Hollow, among others, all have their own personalities and traditions.

Visit neshobacountyfair.org for more information or call 601-656-8480.

Parks and Recreation

Due to the COVID-19 pandemic at press time, check availability.

Walking trails, camping, fishing and a first-class playground are enjoyed year round at parks in Philadelphia and Neshoba County.

Among the most recent additions is a recreational volleyball court and a disc golf course.

Northside Park is home to a first-class baseball/softball complex and playground. What's more, the park is home to the senior citizens center, where numerous activities are enjoyed.

A second walking trail was completed in recent years which connects to the original one in the A. W. "Rack" Burt addition. The park also has a handicapped playground next to The Imagination Fun Station.

BOOKER T. PARK

Numerous youngsters attend Headstart in a facility at Booker T. Washington Park. The park consists of a gymnasium where youth basketball is held.

There is also an outdoor stage and a concession-restroom building.

BURNSIDE PARK

Burnside Lake Water Park consists of 115 acres in Neshoba County approximately



There are numerous parks in Neshoba County for residents to enjoy.

five miles northeast of Philadelphia on Highway 15. The park is located on Burnside Lake, an oxbow lake of the Pearl River. The park facilities include an auditorium that can accommodate meetings of up to 180 people in heated and air conditioned comfort, boat ramp, oxbow lake, fishing pier, three open-air pavilions, three lighted ball fields, picnicking areas, playgrounds,

nature trail, suspension bridge, bathhouse and comfort stations.

A \$28,000 playground was added at Burnside in recent past years, which was funded by Pearl River Basin and Development District.

NORTHSIDE PARK

Located on north Pecan Avenue, North-

side Park is the hub of sports activity in the parks system.

The department's youth baseball, softball, soccer and T-ball programs are the park's most successful, boasting about 1,200 participants per year.

Another big program for children at Northside is the soccer, for boys and girls. Children aren't the only ones who can get exercise at Northside Park.

A recreational volleyball court was added recently. There is a mile and a half walking trail and several picnic tables for convenience.

WESTSIDE PARK

Westside Park, located off Carver Avenue, is the location for another playground, outdoor basketball courts and the Westside Community Center. This center was completely renovated in recent years.

Pick-up basketball is a frequent activity at Westside Park. The community center is probably the park's main feature.

Used for family reunions, weddings, and singing, it's also the home of the Miss Black Neshoba County beauty pageant each year.

A new playground was added at Westside in recent years, which was funded by the city of Philadelphia.

For more information on area parks call 601-656-4101 or visit neshobacounty.net.

East Central Community College is...



UNIQUE



AFFORDABLE



QUALITY



FAMILY

...what you are looking for.

**18 Career & Technical Programs • Academic Transfer Programs
Healthcare Education**



EAST CENTRAL
COMMUNITY COLLEGE

**www.eccc.edu • 877-GO-2-ECCC
go2ec@eccc.edu
Decatur, MS**

East Central Community College is an equal educational and employment opportunity provider.



McLAIN SERVICES

SERVICE CONTRACTOR

601-656-6333

A Division of McLain Plumbing

We offer a variety of Mechanical work and Services in Air Conditioning, Heating, and Plumbing. Here is a list of what we offer our customers.

Air Services

- Air Conditioning
- Heating
- Duct work
- Equipment changeouts
- Filter service
- Preventative maintenance programs

Plumbing Services

- Plumbing repairs
- Water heaters
- Sewer line cleaning
- Leak detection
- Sewer video inspections
- Backflow preventer certification

Welcome

to Philadelphia, Choctaw & Neshoba County!

Blessed with natural beauty and small-town charm, Neshoba County and Philadelphia offer the best in recreation, relaxation, and entertainment with events like the annual Neshoba County Fair and Choctaw Indian Fair, and Ham Jam Arts Festival. Philadelphia/Neshoba County is also home to the Pearl River Resort and an excellent system of public parks. The area offers bowling, skating and outstanding 18-hole golf course facilities at the two courses at Dancing Rabbit Golf Club on the Choctaw Indian Reservation and the Philadelphia Country Club.



Community
Development
Partnership

*Come take a tour
of our fair city*

256 West Beacon Street, Philadelphia, MS
601-656-1000 • www.neshoba.org



10871 Road 539 Philadelphia, MS

7 beds, 6 full, 1 partial baths | 4,500 square feet, Lot: 4.5 acres

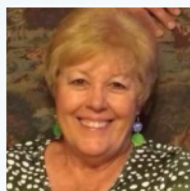
\$375,000



16118 Highway 15 South Philadelphia, MS

3 beds, 2 full, 2 partial baths | Lot: 1.5 acres

\$240,000



Lynn Martin
601-416-3547



Paulette Winstead
601-416-2281

www.lynnshomeandland.com



Welcome to
PHILADELPHIA



Weyerhaeuser

For a career that supports your life
www.WY.com/careers

**A beautiful
community.**

Welcome to Philadelphia
and Neshoba County.



150 Hospital Road
601-656-4343

Visit Beautiful Choctaw, MS

Aiyokli Chahta, MS ishi nōwā chikih

Over the past few generations, the Mississippi Choctaws have experienced a remarkable amount of change. But no matter how much change comes to the Reservation, one constant remains - the traditional culture of the Choctaw people. Choctaw culture is a vital aspect of community life.



2019-2020
CHOCTAW INDIAN PRINCESS
ELISAH MONIQUE JIMMIE



Tours of the Choctaw Reservation are available throughout the year by appointment. Contact the Office of Public Information (601) 663-7532 for more information.

